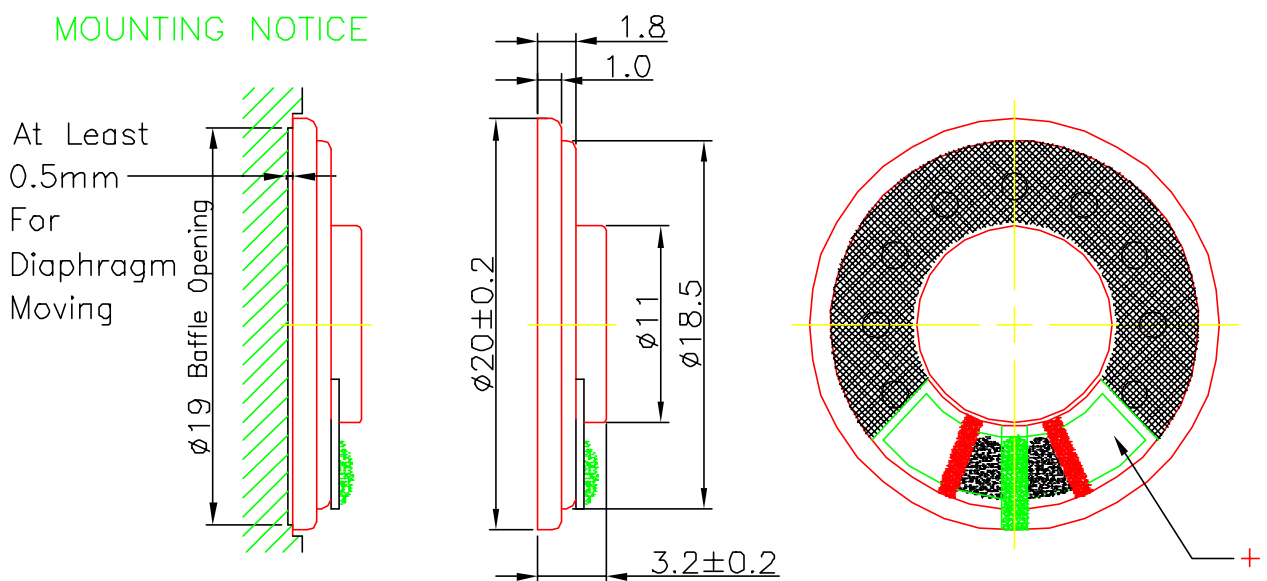




1.	MODEL:	20CS32F-1 -M38ND(Black Mylar)-M38NT(Clear Mylar)					
2.	Dimension	Outer Diameter	20	mm.	Baffle Opening	19	mm.
		Height	Refer to Drawing.		Weight	2.0	Grams.
3.	Magnet	Materials	Rare Earth		Size	ϕ 8.0x1.0 mm.	
4.	Nominal Impedance	32 Ohm	\pm	15	%	At	1500 Hz.
5.	Power Rating	Normal	500	mW.	Maximum	1000 mW.	
6.	Lowest Resonant Frequency	850	\pm	20		%	Hz.
7.	Output Sound Pressure Lever (S.P.L.)	84	\pm	3	db / 0.5 Watt	0.5 Meter.	
		Average at		800, 1000, 1200, 1500	Hz.		
8.	Frequency Range	600	~	8000		Hz. Average S P L - 10 db.	
9.	Distortion	5	%	Maximum At	1000	Hz.	500 mW.
10.	Abnormal Sound Test	Must Be Normal Test By		4.0	Volts.	Sine Wave.	
11.	Load Test	White Noise With Weighted Filter		4.0	Volts.(RMS)	24 Hrs.	
12.	Polarity	Diaphragm shall move Forward when Apply a Positive DC.					
		Current to the "+" or "Marked" Terminal.					

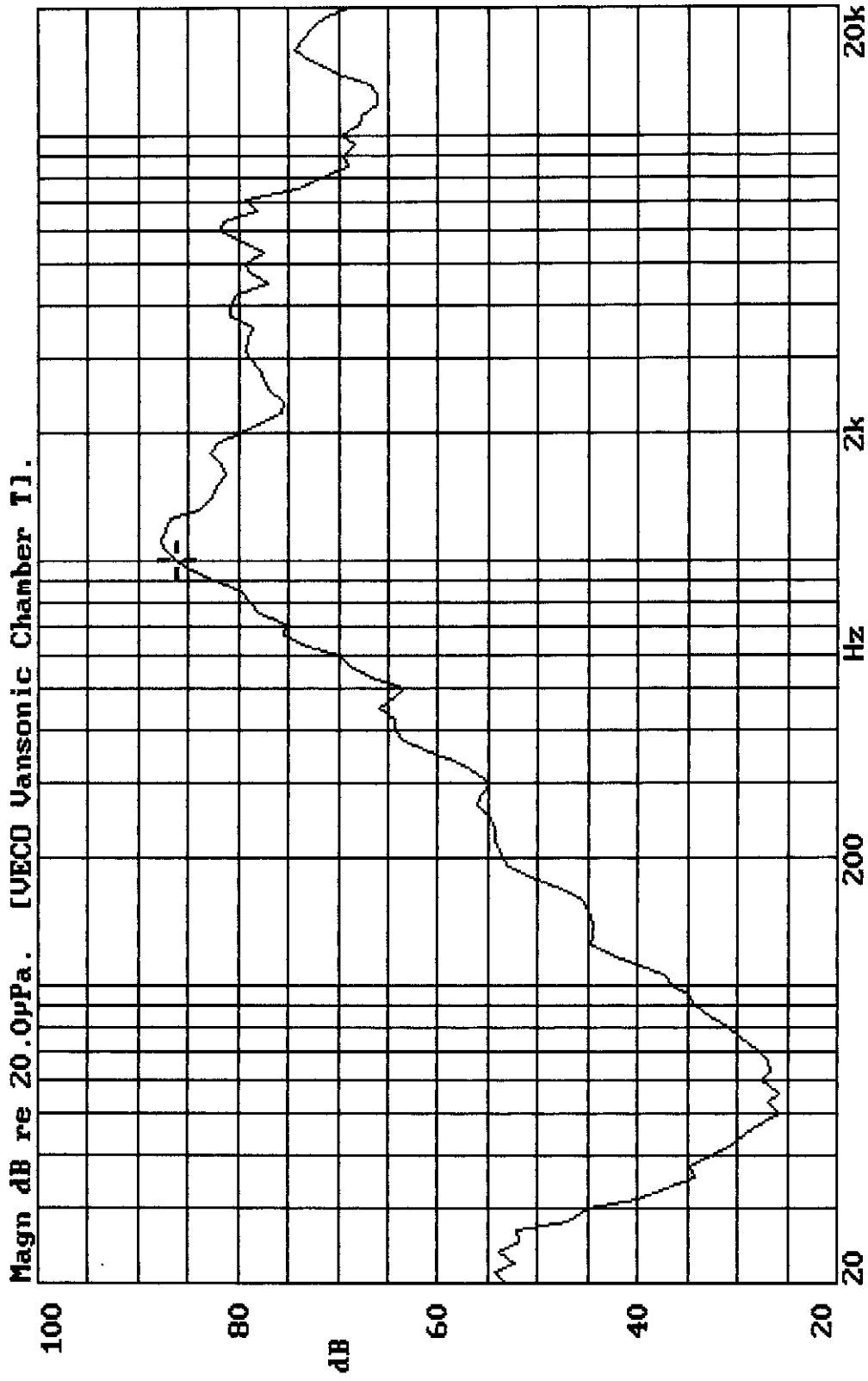
MOUNTING NOTICE



Unit : mm

Housing Material : METAL

20CS32F-1-M3BND VOL:4.0V(0.5W) DIS:0.5M VANSONIC
X:1.0000kHz *Y:86.13dB ZA:1.0000 SSR Fund.



08-NOV-2000 17:20:48

Made: SSR

